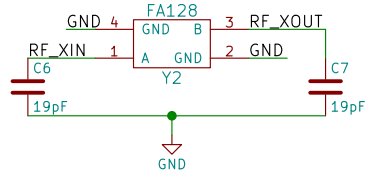
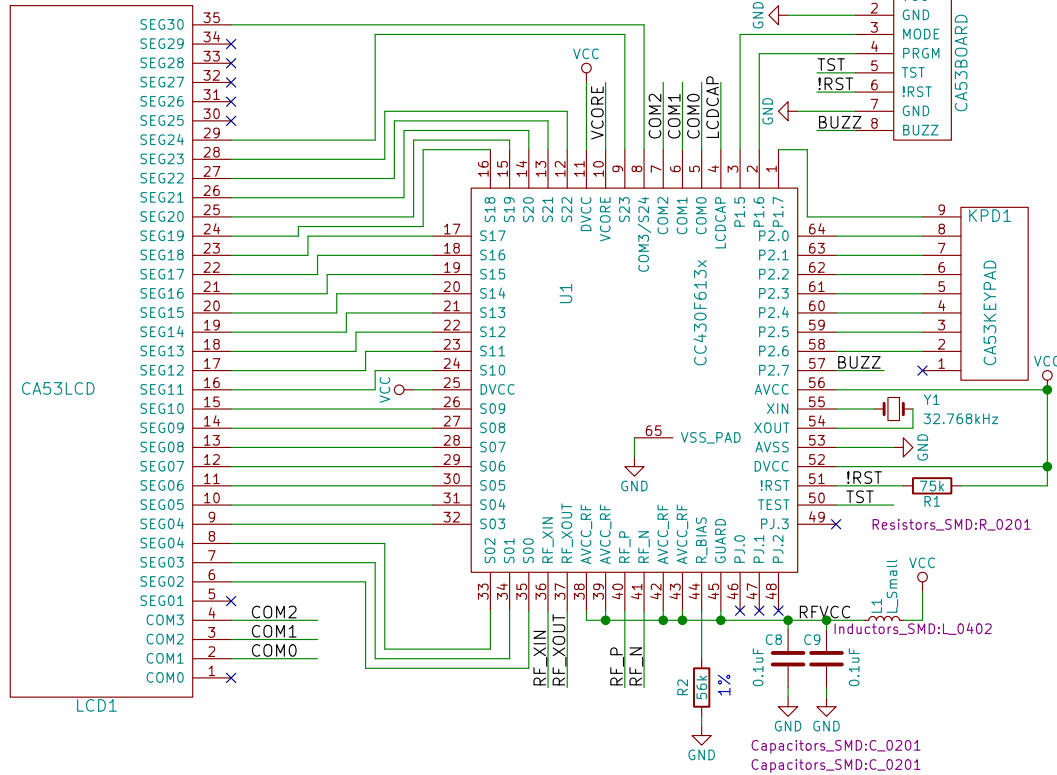
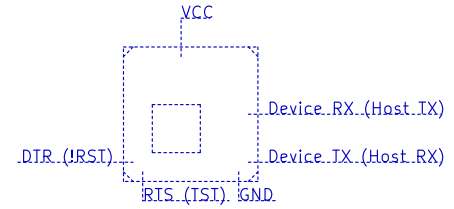


Capacitors_SMD:C_0201
 Capacitors_SMD:C_0201

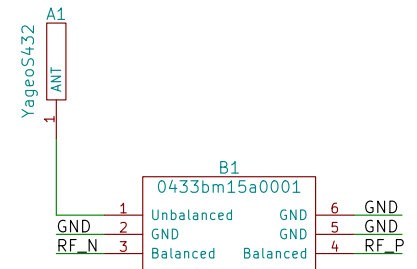
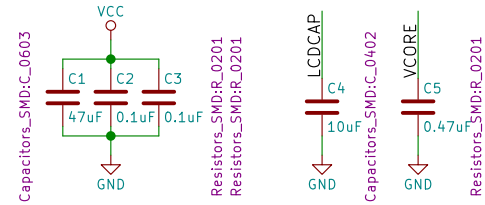


NOTE WELL:

- Both LCD and Keypad pin 1 must be on the West of the board.
- Some LCD segments can't be mapped due to pin limits. Sorry.
- P1.5 and P1.6 double as a UART for the BSL. (IRST and TST also required.)
- See pages 86 and 88 of CC430F6137 datasheet for component values.
- Manufacture with 0.6mm thickness.



Crystals:Crystal_SMD_3215-2pin_3.2x1.5mm



Replacement PCB for the Casio 3208 watch module (CA53 or CA506) built around the CC430F6137. Tuned for 70cm (430MHz).
 by Travis Goodspeed

Sheet: /
 File: goodwatch22.sch

Title: GoodWatch Rev 22

Size: A4

Date:

Rev: 21

KiCad E.D.A. kicad 4.0.5+dfsg1-4

Id: 1/1